



American Hakko Products, Inc.

PRODUCT BULLETIN

Bulletin No: PB107

Issue Date: October 18, 1999

Product:

New Small Round ESD Safe Hood

Part No:

999-195

Specification:

ESD Safe

Dimensions – See Drawing Below

Melting Point is approx. 329°F

Normal operating temperature is 170°F



Comments:

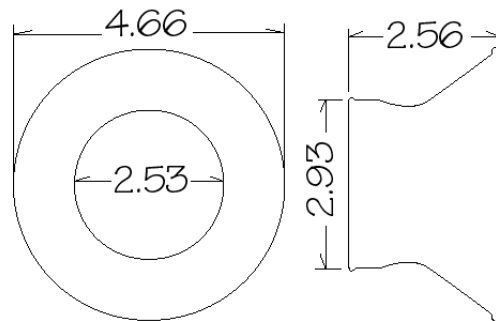
The construction is durable, crush resistant and will not fray.

Accessories:

None

Available:

In Stock



For pricing information, please contact your local American Hakko representative or our customer service department at (661) 294-0090.

From...

American Hakko Products, Inc.
25072 Anza Dr.
Santa Clarita, CA 91355
(661) 294-0090
Fax: (661) 294-0096
www.hakkousa.com
AHP14 Rev 99-07