



**American Hakko Products, Inc.**

## PRODUCT BULLETIN

**Bulletin No:** PB106

**Issue Date:** October 18, 1999

**Product:**

New ESD Safe Duct for the HJ3100

**Part No:**

999-194

**Specification:**

ESD Safe

Dimensions – See Drawing Below

Melting Point is approx. 329°F

Normal operating temperature is

170°F



**Comments:**

Hand adjustable through 360° with a minimum turn radius of 5.75". Interlocking elements are self supporting up to 3 feet. The construction is durable, crush resistant and will not fray.

**Accessories:**

999-195 – Nozzle, 4.5" Round, ESD

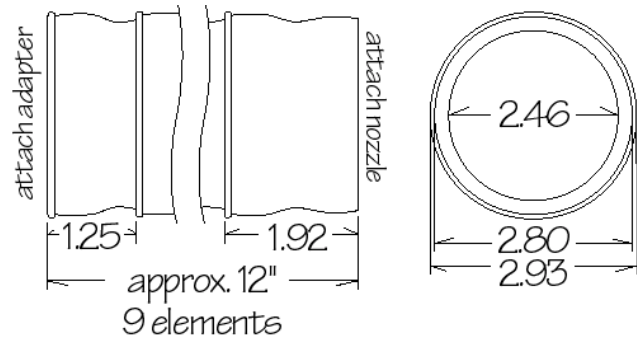
999-196 – Nozzle, 6 x 3.5", ESD

999-197 – Adapter for 3" metal duct

**Available:**

In Stock

Sold per foot



From...

For pricing information, please contact your local American Hakko representative or our customer service department at (661) 294-0090.

American Hakko Products, Inc.  
25072 Anza Dr.  
Santa Clarita, CA 91355  
(661) 294-0090  
Fax: (661) 294-0096  
www.hakkousa.com  
AHP14 Rev 99-07