



American Hakko Products, Inc.

P R O D U C T B U L L E T I N

Bulletin No: PB205

Issue Date: October 27, 2004

Product:

New Tip for Hakko FM-2022 Parallel Remover

Part No:

T8-1013

Specification:

As per drawing.

Comments:

Designed for the removal of 3mm surface-mounted chip components (e.g. three-leaded triac).

Accessories:

None

Available:

October 27, 2004

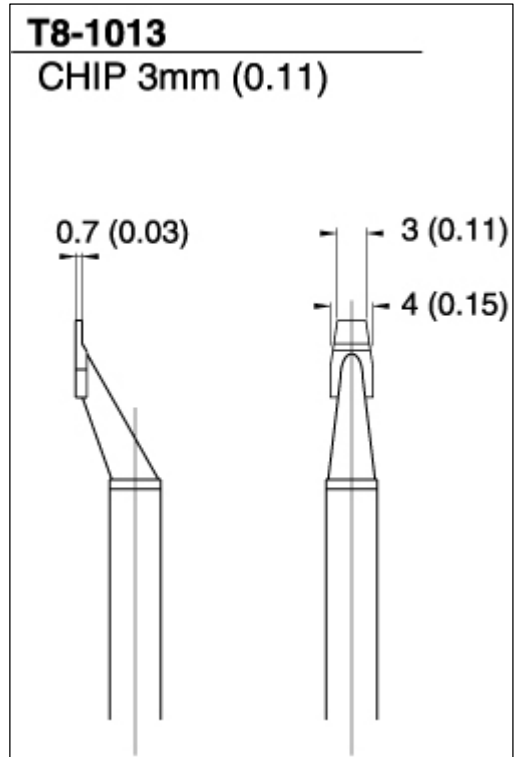
T8-1013

CHIP 3mm (0.11)

0.7 (0.03)

3 (0.11)

4 (0.15)



From...

For pricing information, please contact your local American Hakko representative or our customer service department at (661) 294-0090.

American Hakko Products, Inc.
28920 N. Avenue Williams.
Valencia, CA 91355
Tel: (661) 294-0090
Fax: (661) 294-0096
www.hakkousa.com
AHP14 Rev 2000-01