



American Hakko Products, Inc.

P R O D U C T B U L L E T I N

Bulletin No: PB196

Issue Date: April 30, 2004

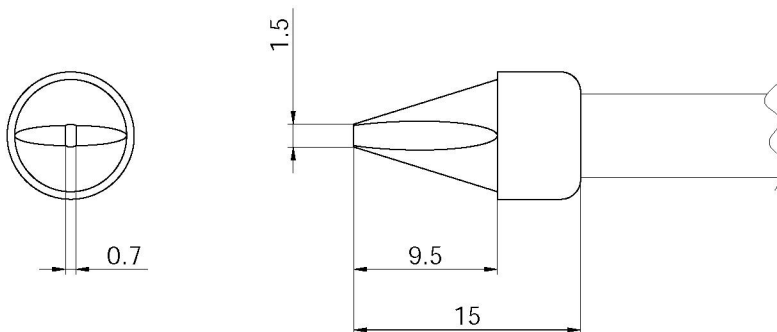
Product:

High mass T7 series tip

Part No:

T7-XD15

Specification:



Comments:

The T7-XD15 is a high mass tip for the FM-202, FP-101 and FP-102 stations. The XD15 tip was designed for the HMP (High Melt Point) solder industry but may also be useful when soldering to very heavy ground plane circuit boards or other large heat sink applications.

Available:

July 1, 2004

For pricing information, please contact your local American Hakko representative or our customer service department at (661) 294-0090.

From...

American Hakko Products, Inc.
28920 N. Avenue Williams.
Valencia, CA 91355
Tel: (661) 294-0090
Fax: (661) 294-0096
www.hakkousa.com
AHP14 Rev 2000-01