



American Hakko Products, Inc.

# PRODUCT BULLETIN

**Bulletin No:** PB414  
**Issue Date:** 1-23-2018  
**Effective Date:** 2-1-2018

**Description/Title:**  
 NEW HAKKO FU-601 Robotic Soldering Station with TX1 and TX2 Series Tips

**Part No:**  
 FU601-40X, FU601-60X

TX1 Series Tips	TX2 Series Tips
TX1-XD	TX2-XD3
TX1-XD08	TX2-XD4
TX1-XD16	TX2-XD6
TX1-XD24	TX2-XDR3
TX1-XD3	TX2-XDR4
TX1-XBCR2	TX2-XDR6
TX1-XBCR3	TX2-XBCR3
TX1-XBCR4	TX2-XBCR4
TX1-XDR	TX2-XBCR6
TX1-XDR16	TX2-XRK
TX1-XDR24	
TX1-XDR3	
TX1-XRK	



## Specification:

<b>Model</b>	FU-601
<b>Part No.</b>	FU601-60X (Straight Iron) FU601-40X(L-shaped Iron)
<b>Input Voltage</b>	120 VAC 50/60 Hz
<b>Power Consumption</b>	300W
<b>Temperature Range</b>	50°C – 500°C (120°F – 940°F)
<b>ESD Safe</b>	Yes

## Contents:

FU601-60X		FU601-40X	
Part No.	Description	Part No.	Description
--	FU-601 Station	--	FU-601 Station
<b>FU6001-01X</b>	Soldering Handpiece (Straight)	<b>FU6002-01X</b>	Soldering Handpiece (L-shape)
<b>CX5019</b>	Iron Mount	<b>CX5019</b>	Iron Mount
<b>CX5017</b>	Tip Alignment Tool (TX1)	<b>CX5017</b>	Tip Alignment Tool (TX1)
<b>CX5018</b>	Tip Alignment Tool (TX2)	<b>CX5018</b>	Tip Alignment Tool (TX2)
<b>BX1033</b>	Iron Cable	<b>BX1033</b>	Iron Cable
<b>BX1056</b>	Connecting Cable	<b>BX1056</b>	Connecting Cable
<b>BX1027</b>	Flux Cover	<b>BX1027</b>	Flux Cover
--	Feeder Unit Attachment Screw	--	Feeder Unit Attachment Screw
<b>B2300</b>	Heat Resistant Pad	<b>B2300</b>	Heat Resistant Pad
<b>B2419</b>	Power Cord	<b>B2419</b>	Power Cord
--	Instruction Manual	--	Instruction Manual

AHP14 Rev 2017-09



American Hakko Products, Inc.

**Specifications (continued):**

**Station**

<b>Output Voltage</b>	29 V
<b>Outer Dimension (W x H x D)</b>	145 x 107 x 211 mm (5.7 x 4.2 x 8.3 in.)
<b>Weight (w/o Cord)</b>	4 kg (8.8 lb.)

**Handpiece (FU-6001/6002)**

<b>Power Consumption</b>	260W (29V)
<b>Tip-to-Ground Resistance</b>	< 2 ohms
<b>Tip-to-Ground Potential</b>	< 2 mV
<b>Heater</b>	Composite Ceramic Cartridge
<b>Tips<sup>1</sup></b>	TX1 and TX2 Series
<b>Cord Length</b>	5 m (16.4 ft.)
<b>Total Length (w/o Cord)<sup>2</sup></b>	194 mm (7.6 in.) {168mm (6.6 in.)} <sup>3</sup>
<b>Weight (w/o Cord)<sup>2</sup></b>	171 g (0.38 lb.) {173g (0.38lb.)} <sup>3</sup>

<sup>1</sup>Tips not included

<sup>2</sup>As measured with TX2-4XD Tip installed

<sup>3</sup>FU-6002

**Additional Parts List:**

<b>Part No.</b>	<b>Description</b>
BX1023	Nitrogen adapter for TX1 tips
BX1024	Nitrogen nozzle assembly A for TX1-XD24/XD3
BX1025	Nitrogen nozzle assembly B for TX1-XD/XD08/XD16
BX1026	Nitrogen nozzle assembly C for TX1-XBCR4/XRK
BX1029	Nitrogen adapter for TX2 tips
BX1030	Nitrogen nozzle assembly D for TX2-XD4/XD6/XDR4/XDR6/XBCR4/XBCR6
BX1031	Nitrogen nozzle assembly E for TX2-XD3/XDR3/XBCR3

<b>Part No.</b>	<b>Description</b>
CX1000	Point solder slide unit for FU-6001/6002
CX1001	Drag solder slide unit for FU-6001/6002
CX1002	Temperature probe
CX1003	Robotic Tip Cleaner

**Comments:**

The HAKKO FU-601 Robotic Soldering Station is designed to communicate with HAKKO FU-500 solder feeding unit and integrate with various robotic system to achieve low cost intelligent soldering automation.

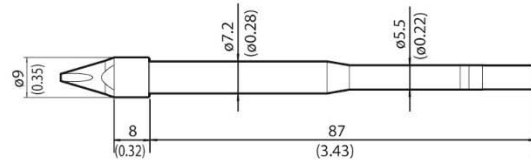
The station uses TX2 series tips that feature 260W composite ceramic heating elements that have a top controlled temperature of 500°C (940°F) and high mass shapes. FU-601 also supports 130W TX1 series tips with additional tip shapes

2 soldering iron styles are available, straight or L-shaped, to meet your process requirements. The tip can be easily replaced and the position of the tip end can be easily adjusted using the tip alignment tool. Nitrogen options are also available, varies N2 nozzles that match the tip shapes can be installed onto the iron with an optional N2 adapter.



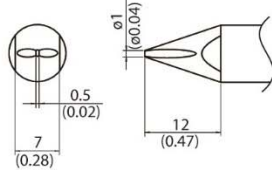
American Hakko Products, Inc.

**TX1 Series Tips**

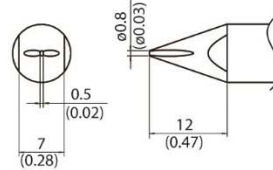


Unit : mm (in.)

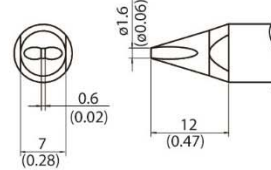
TX1-XD Shape-XD



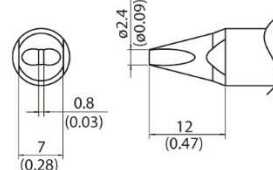
TX1-XD08 Shape-0.8XD



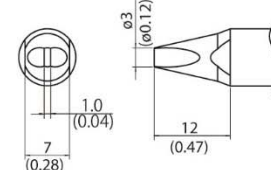
TX1-XD16 Shape-1.6XD



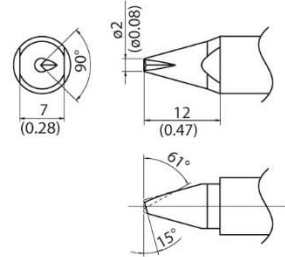
TX1-XD24 Shape-2.4XD



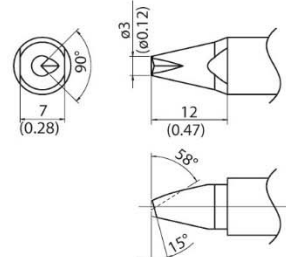
TX1-XD3 Shape-3XD



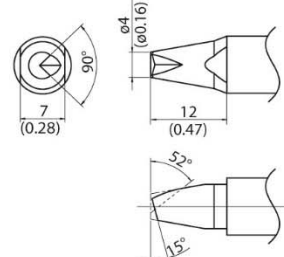
TX1-XBCR2 Shape-2XBCR



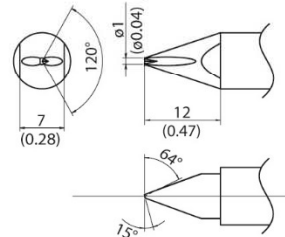
TX1-XBCR3 Shape-3XBCR



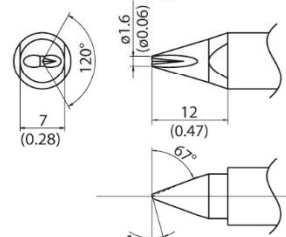
TX1-XBCR4 Shape-4XBCR



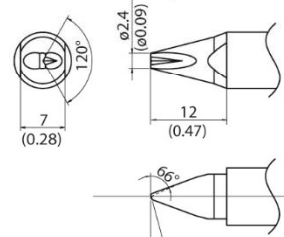
TX1-XDR Shape-XDR



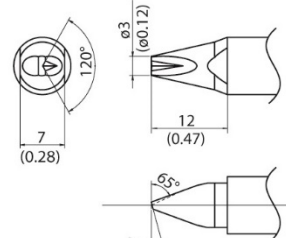
TX1-XDR16 Shape-1.6XDR



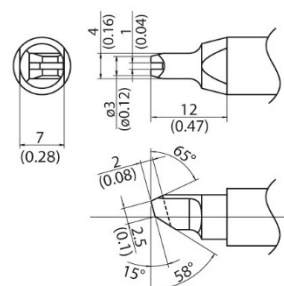
TX1-XDR24 Shape-2.4XDR



TX1-XDR3 Shape-3XDR



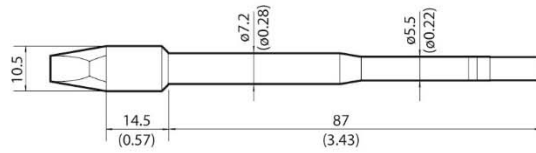
TX1-XRK Shape-XRK





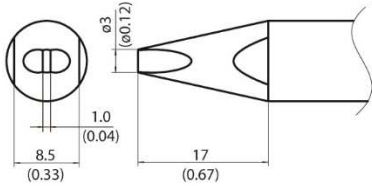
American Hakko Products, Inc.

**TX2 Series Tips**

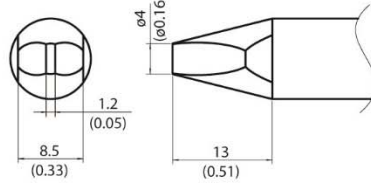


Unit : mm (in.)

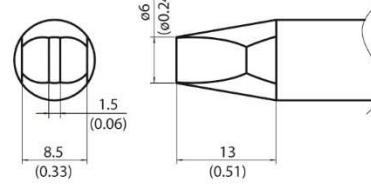
TX2-XD3 Shape-3XD



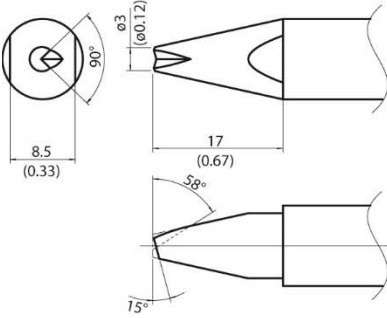
TX2-XD4 Shape-4XD



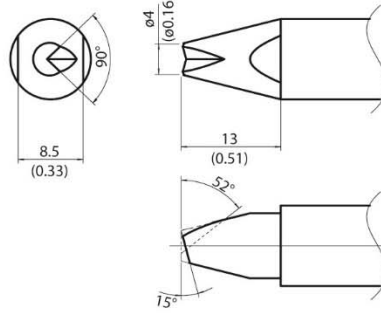
TX2-XD6 Shape-6XD



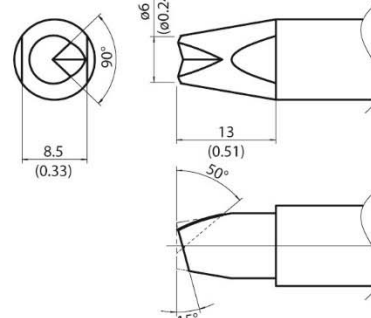
TX2-XBCR3 Shape-3XBCR



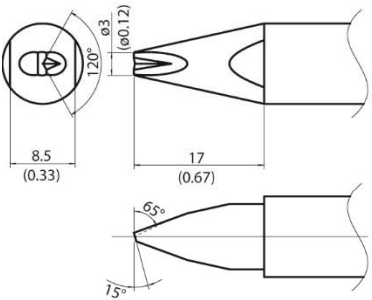
TX2-XBCR4 Shape-4XBCR



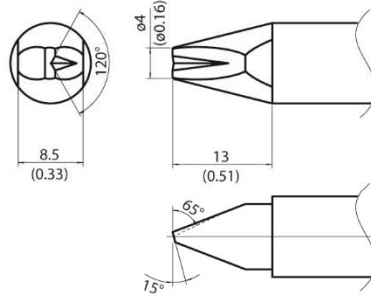
TX2-XBCR6 Shape-6XBCR



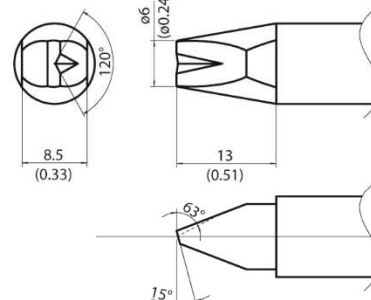
TX2-XDR3 Shape-3XDR



TX2-XDR4 Shape-4XDR



TX2-XDR6 Shape-6XDR



TX2-XRK Shape-XRK

