



American Hakko Products, Inc.

# PRODUCT BULLETIN

**Bulletin No:** PB400

**Issue Date:** 10-25-2016

**Available:** 10-25-2016

**Product Description:**

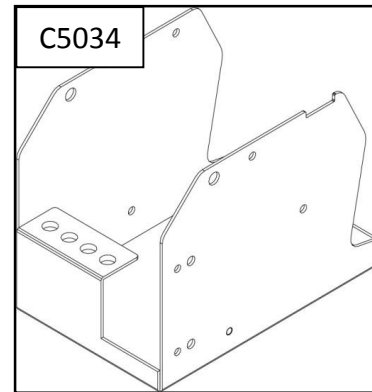
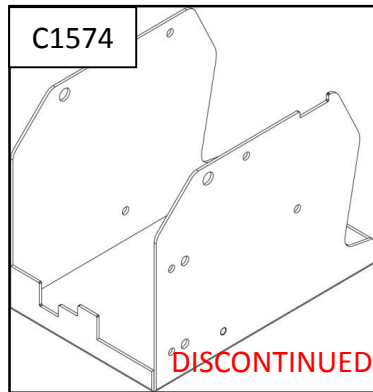
HAKKO C5034 Hand Piece Holders

**Part No:**

C1574 to C5034

**Specification:**

Unchanged



**Comments:**

The HAKKO C1574 hand piece holder for the FT-8003 and FM-2029 will discontinue and the new C5034 hand piece holder will be a direct and improved replacement. The Hakko C1574 hand piece holder has been changed to accommodate the popular request of tip holders. The new HAKKO C5034 will have holes for tip storage while maintaining the same specifications of the C1574 hand piece holder. The new HAKKO C5034 holder comes with the FT8003-01, FT801-31, FM2029-01, FM206-DSA and FM206-STA or the C5034 may be purchased individually.

All shipments of the HAKKO FT801-31 with serial number 11801216000988 or higher will include the new C5034 handpiece holder. All shipments of the HAKKO FM206-DSA and FM206-STA with serial number 02206216000400 or higher will include the new C5034 handpiece holder. All shipments of the HAKKO FT8003-01 and FM2029-01 on or after October 25, 2016 will include the new C5034 handpiece holder.

For more information please visit us at [www.HakkoUSA.com](http://www.HakkoUSA.com)