



American Hakko Products, Inc.

PRODUCT BULLETIN

Bulletin No: PB386

Issue Date: 6-27-2016

Available: 6-27-2016

Product Description:

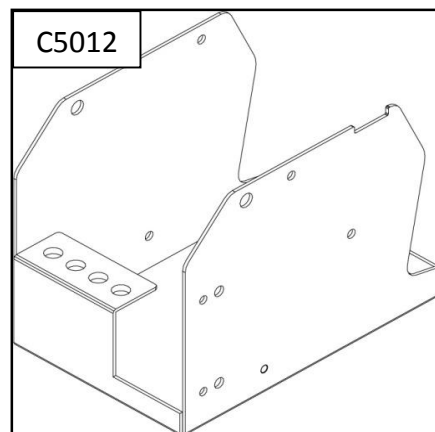
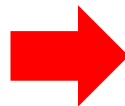
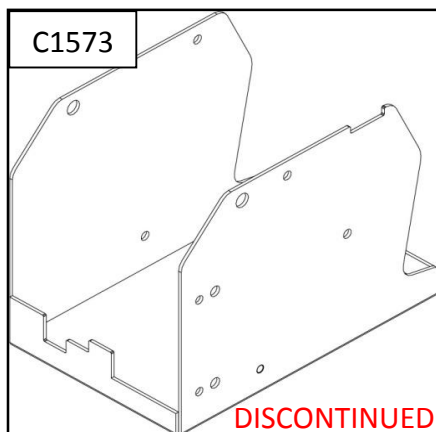
HAKKO C5012 Handpiece Holders for the FT801-02

Part No:

C1573 to C5012

Specification:

Base of holder changed to integrate tip storage



Comments:

The HAKKO C1573 handpiece holder for the FT-801-02 will discontinue and the new C5012 handpiece holder will be a direct and improved replacement. The Hakko C1573 handpiece holder has been changed to accommodate the popular request of tip holders. The new HAKKO C5012 will have holes for tip storage while maintaining the same specifications of the C1573 handpiece holder. The new HAKKO C5012 holder comes with the FT8002-CK and FT801-02 or the C5012 may be bought individually.

All shipments of the HAKKO FT801-02 on or after June 27, 2016, or with serial number 11801216000310-11801216000313, 11801216000316, 11801216000419-11801216000421, and 11801216000429 or higher will include the new C5012 handpiece holder.

For more information please visit us at www.HakkoUSA.com