



American Hakko Products, Inc.

# PRODUCT BULLETIN

**Bulletin No:** PB368

**Issue Date:** 7-28-2015

**Available:** 8-11-2015

**Product Description:**

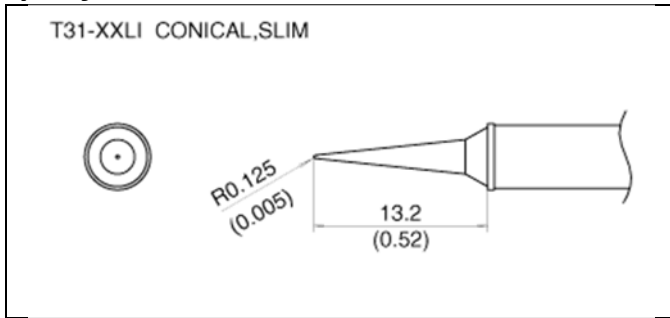
NEW HAKKO T31-xx Series Soldering Tip Shape

**Part No:**

T31-00LI, T31-01LI, T31-02LI, T31-03LI



**Specification:**



NOTE: xx:00 = 480°C (895°F) | 01 = 450°C (840°F) | xx:02 = 400°C (750°F) | xx:03 = 350°C (660°F)

**Comments:**

A very popular slim conical shape tip has been added to the T31 Series of tips for the exclusive use with the HAKKO FX-1001 Soldering Iron Handpiece. HAKKO T31 Series Soldering Tips use a highly precise manufacturing and process control methods that allows for a more repeatable tip temperature between not only the same tip shape, but even between tips of different shapes but within the same series.

The slim conical shapes are generally used where accessibility is difficult for regular sized soldering iron tips, or where the solder joint is extremely small but still requires high power.

For more information please visit us at [www.HakkoUSA.com](http://www.HakkoUSA.com)